



SMOOTH™

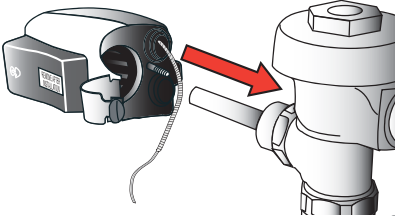
SIDE-MOUNT-OPERATOR-OVER-THE-HANDLE

EL-600-A SMOOTH HARDWIRE ADAPTER KIT

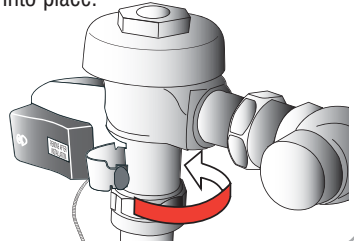
NOTE: Water does not need to be shut off.

IMPORTANT: Install all electrical wiring in accordance with National/Local Codes and Regulations.

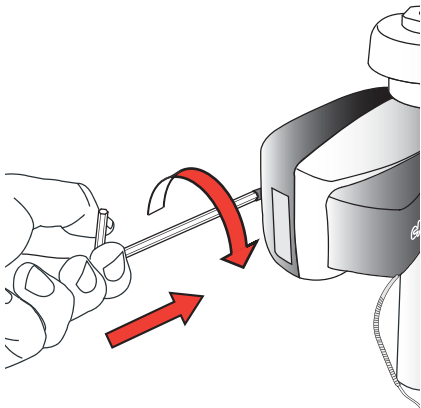
- 1** Slide the unit over the existing handle up to the flushometer body.



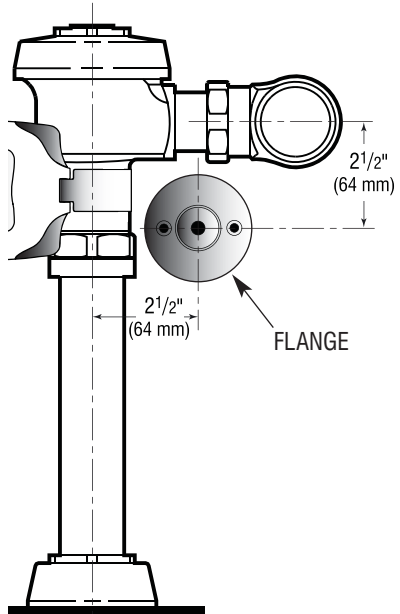
- 2** Swing the Mounting Clamp around the flushometer body and press the clamp end into the unit until it clicks into place.



- 3** Tighten unit by pushing in on the spring loaded Mounting Screw and turning clockwise with a 1/8" hex wrench. **Do Not overtighten.**



- 4** Suggested mounting location of Electrical Supply Flange.



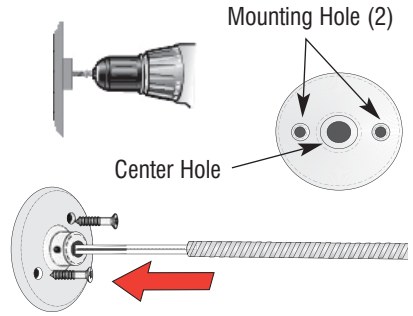
5

Drill two (2) mounting holes into wall and mount flange using the appropriate fasteners for the particular wall type.

Mounting Fasteners Provided:

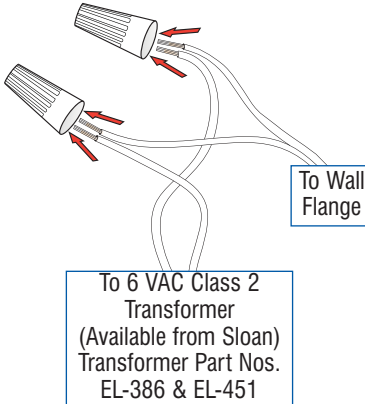
- Plastic Wall Anchor - 1/4" (6 mm) hole
- Hollow Wall Anchor - 5/16" (8 mm) hole
- Toggle Nut Anchor - 1/2" (13 mm) hole

Drill 1/2" (13 mm) center hole. Run Cable through center hole in Flange.

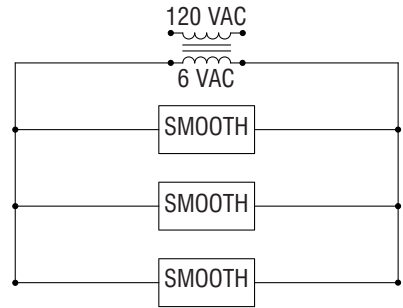


6

Insert wires into Wire Connectors as shown. Twist Wire Connectors onto wires.



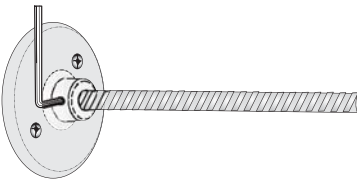
Wiring Diagram



One EL-386 Transformer serves one (1) OPTIMA Closet/Urinal Flushometer. One EL-451 Transformer serves up to eight (8) OPTIMA Closet/Urinal Flushometers.

8

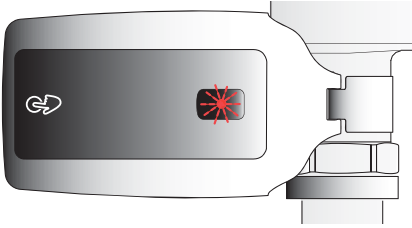
Tighten setscrew against armor sheath, with 1/8" hex wrench.



OPERATION

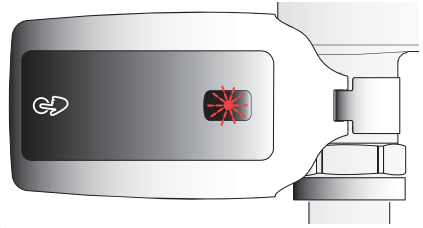
NORMAL OPERATION

When a user enters the sensor's effective range, the Red LED light in the sensor window flashes for eight seconds. After eight seconds of sensing a user, the light will stop flashing and the unit waits for the user to step away before initiating a flush cycle.



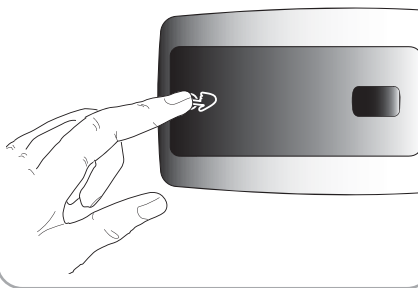
LOW VOLTAGE INDICATOR

When a user enters the sensor's effective range and the Red LED light in the sensor window flashes twice as fast as normal, check all electrical connections and transformer.



INITIATING A MANUAL FLUSH CYCLE

A manual flush cycle may be initiated by fully pressing and releasing the Override Handle.



ADJUSTMENT PROCEDURES

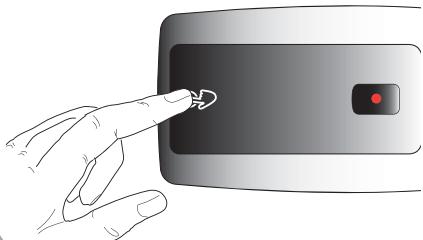
The SMOOTH unit is factory set with a Sentinel Flush Feature. This Feature will activate the flushometer once every 72 hours with no activity, to maintain the water seal in the fixture and conserve water. There should be no need for further adjustments; however, if an adjustment is required, refer to the following instructions.

Note: To make the adjustments indicated below, power to unit(s) must be turned off for ten (10) seconds. Mode selection is available within one (1) hour after every power up condition (energizing transformer).

RESETTING UNIT TO NORMAL RANGE (Water Closets)

Mode A

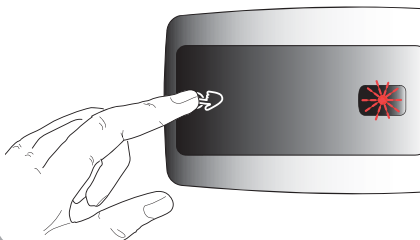
The SMOOTH unit may be reset to normal range by fully pressing and holding in the Override Handle until the Red LED light in the Sensor Window illuminates. Then immediately release the Override Handle.



SETTING UNIT FOR REDUCED RANGE (Water Closets)

Mode B

The SMOOTH unit may be set to reduced range for closet applications by pressing and holding in the Override Handle until the Red LED light in the Sensor Window flashes a slow long blinking light. Then immediately release the Override Handle.



SETTING UNIT TO REDUCED RANGE (Typically for Urinals)

Mode C

The SMOOTH unit may be set to reduced range by pressing and holding in the Override Handle until the Red LED light in the Sensor Window displays a rapid on and off blinking light. Then immediately release the Override Handle.

