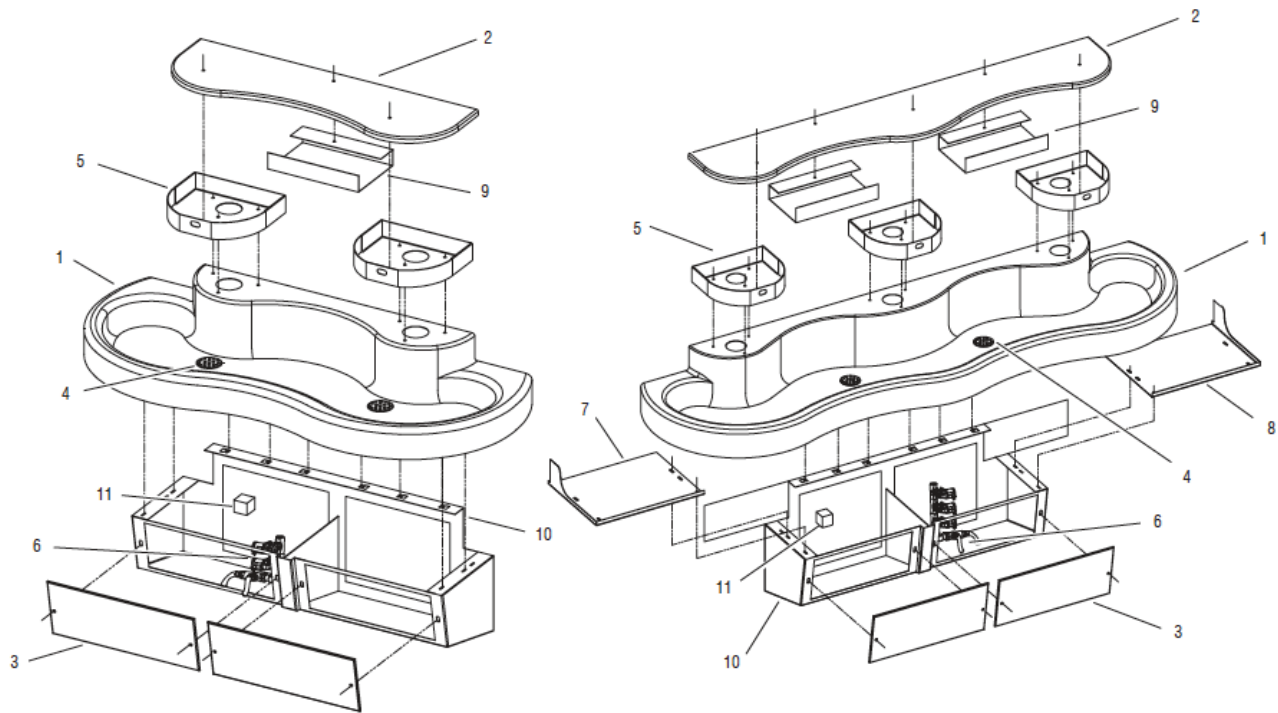
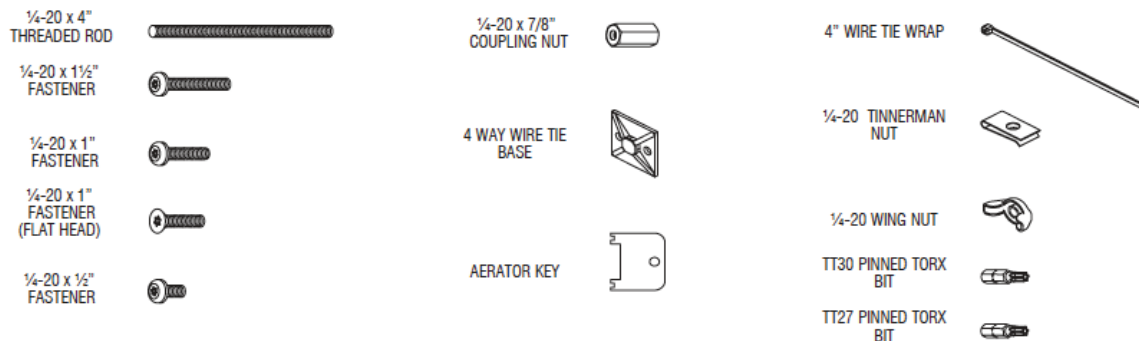


SloanStone® EW-42000/43000 Sink Systems



Hardware Kit



| Item No. | Description |
|----------|---|
| 1 | Solid Surface Basin |
| 2 | Solid Surface Top Cover |
| 3 | Front Panels Front Panels (LP) |
| 4 | Strainer Assembly |
| 5 | Actuator Assembly |
| 6 | Electronic Valve Assembly |
| 7 | Left Side Closure Panel |
| 8 | Right Side Closure Panel |
| 9 | Filler Tray Soap Tray |
| 10 | Cabinet (LP) Cabinet (Standard) Cabinet (Floor Mounted) |
| 11 | Power Supply Hardware Kit |

| Part No. | Description |
|----------|---|
| | MIXING VALVE MIX-135-A Below Deck Thermostatic Water Mixing Valve (BDT Variation) |
| | SENSOR REPLACEMENT KIT EL-1500-LL |
| | SOLENOID REPLACEMENT KIT ETF-408 |
| | SOLENOID FILTER REPLACEMENT KIT ETF-1009-A |