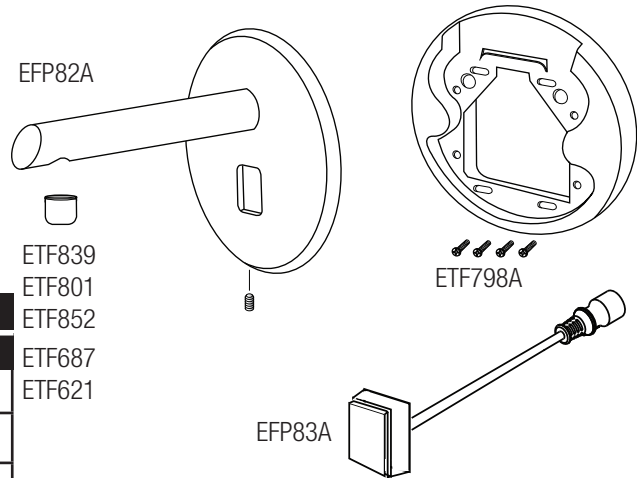


Optima® EBF-850/ETF-800

Parts & Accessories



EBF-850 Wall Mount, battery
ETF-800 Wall Mount, hardwired

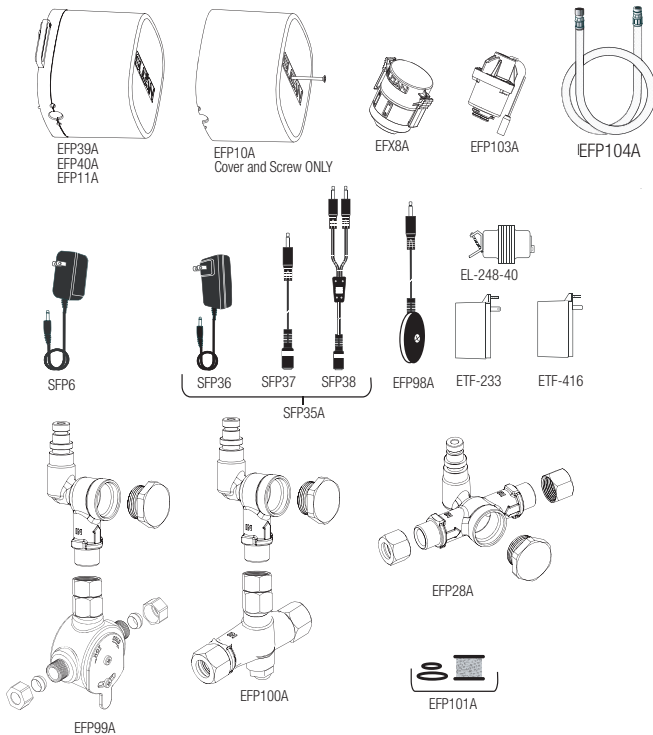


SPOUT ASSEMBLY		
Description	Code No.	Part No.
Spout Assembly ETF-800/EBF-850	0367082	EFP82A
Sensor & Cable Assembly	0367083	EFP83A
Spout Mounting Assembly	0365498PK	ETF798A

SPRAYHEAD OPTIONS			
Description	Type	Code No.	Part No.
0.35 GPM/1.3 Lpm	MLM	0365793	ETF839
0.5 GPM/5.7 Lpm	MLM	0365420	ETF801
1.0 GPM/3.8 Lpm	MLM	0365454	ETF852
1.5 GPM/5.7 Lpm	LAM	0365387	ETF687
2.2 GPM/8.3 Lpm	LAM	0365147	ETF621

BELOW DECK ASSEMBLIES

Description	Code No.	Part No.
Control Box No Turbine	0367039	EFP39A
Control Box Turbine 0.5 gpm	0367040	EFP40A
Control Box Turbine 1.5 gpm	0367011	EFP11A
Quick Connect Spout Hose 36"	0367104	EFP104A
Control Box Cover w/Screw	0367010	EFP10A
Solenoid Assembly	0367103	EFP103A
Battery Pack	3324113	EFX8A
Double Inlet Tee Filter Assembly	0367028	EFP28A
BDM & Single Inlet Tee Filter Assembly Kit	0367099	EFP99A
BDT & Single Inlet Tee Filter Assembly Kit	0367100	EFP100A
Replacement Filter Pack-(5) Filter (5) Large O-rings (5) Small O-rings	0367101	EFP101A
24 VAC Power Harness Assembly	0367098	EFP98A
110V/6 VDC Power Supply	0362006	SFP6
100-240 VAC/6 VDC Power Supply	0362016	SFP36
120/24 VAC Power Supply	0365534PK	ETF-233
120/24 VAC Power Supply (Canada) Plug-in	0365879	ETF-416
120/24 VAC Power Supply (Box Mount)	0345370PK	EL-248-40
Extension Cable	0362017	SFP37
Splitter Cable	0362018	SFP38
Gang Adapter Kit	0362035	SFP35A



NOTE: Some parts and accessories must be ordered separately