

INSTALLATION INSTRUCTIONS



Water Connects Us®



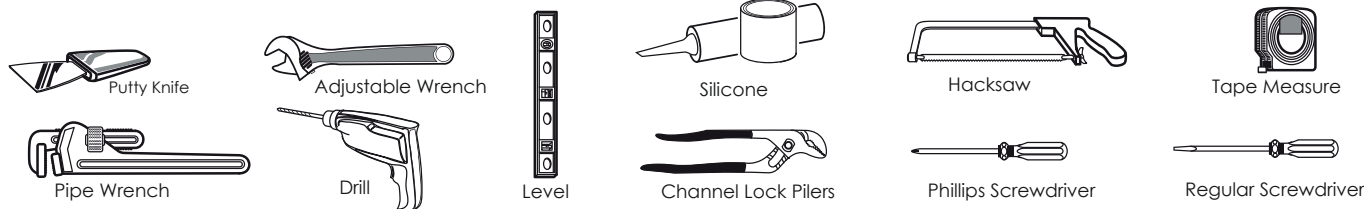
SB-3941
Oval Under Counter Basin

BEFORE YOU BEGIN

⚠ WARNING: Risk of personal injury or product damage. Handle with care.

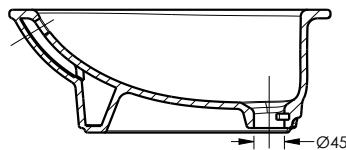
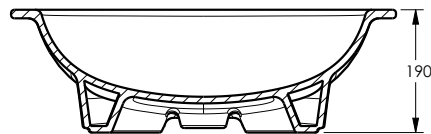
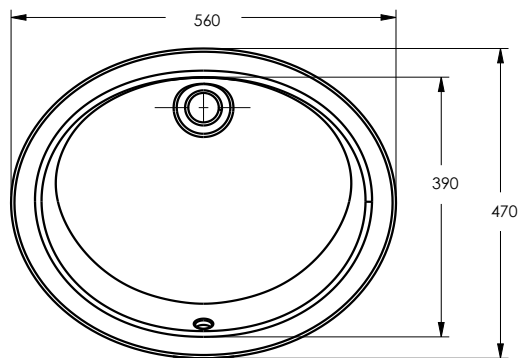
- Vitreous China can break or chip if the bolts and nuts are over-tightened, or if the product is handled carelessly.
- Observe all local plumbing and building codes.
- Check for any damage to the new basin sink before installation.

RECOMMENDED TOOLS AND MATERIALS:-



ROUGHING-IN

Units : mm



Note:-All vitreous china dimensions shown in these drawings are nominal. Dimensions can vary within the tolerances established in the governing BIS standard. Please take this into consideration when planning rough-in and plumbing layouts. Product illustrations shown are representative only; actual products may vary. Sloan reserves the right to make changes in product characteristics, packaging or availability at any time without notice.

SLOAN®

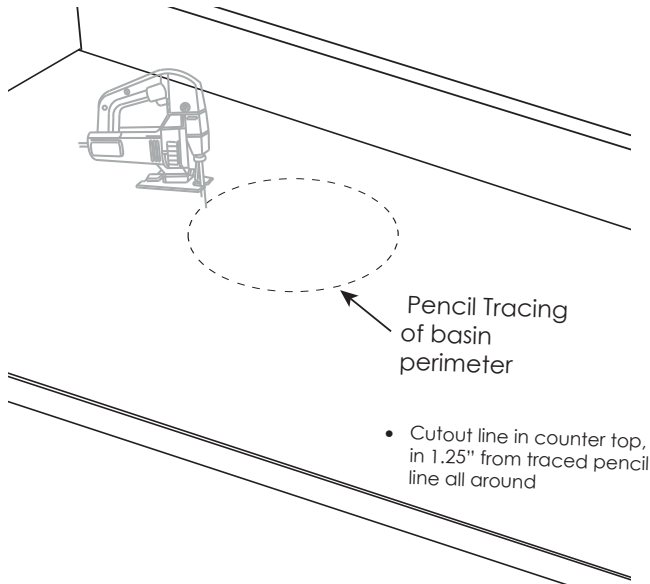
SLOAN INDIA PRIVATE LIMITED

344, PHASE-II, UDYOG VIHAR, GURGAON 122015 Phone: (+91) 124-601333

Toll Free: 1800.123.3080 | customercare@sloan.in | sloan.com Copyright © 2021 Sloan. All rights reserved.

INSTALLATION GUIDELINE

1 CUTTING THE COUNTERTOP



Pencil Tracing of basin perimeter

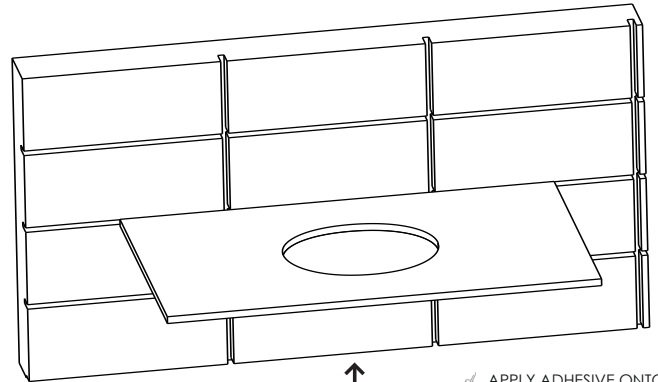
- Cutout line in counter top, in 1.25" from traced pencil line all around

- Position the basin upside down on the countertop and with a grease pencil, trace the basin outline onto the countertop.
- When positioning basin, be sure to align waste pipes with basin drain.

2 MOUNTING THE BASIN ON TO COUNTERTOP

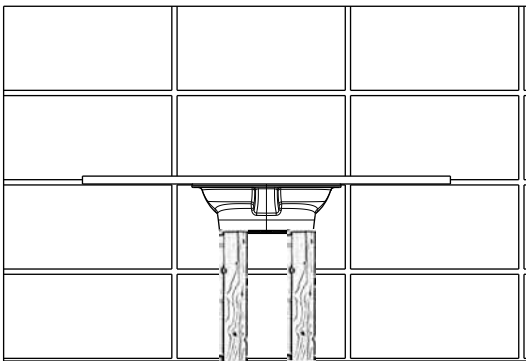


- Mount the drain/pop up assembly(not included) on basin before mounting the basin on the counter top.
- Ensure that the waste coupling(not included) is perfectly sealed to avoid water leakage.



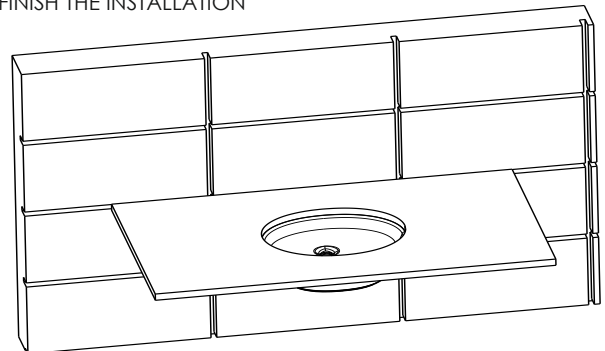
APPLY ADHESIVE ONTO THE BASIN & STICK THE BASIN ONTO COUNTERTOP

3 SUPPORT THE BASIN



- Support the basin for 24 Hours.

4 FINISH THE INSTALLATION



- Install faucet (not included) following faucet manufacturers instructions.
- Finish the installation. Seal around the edges.
- Connect all supply lines and waste pipes.
- Turn on water. Check to see that the faucet and drain are operating properly and there are no leaks.

Note: Product illustrations shown are representative only; actual products may vary.

LIMITED WARRANTY

Sloan Valve Company warrants its vitreous china products to be made of first class materials, free from defects of material or workmanship under normal use and to perform the service for which they are intended in a thoroughly reliable and efficient manner when properly installed and serviced, for a period of five years from date of purchase. During this period, Sloan Valve Company will, at its option, repair or replace any part or parts which prove to be thus defective if returned to Sloan Valve Company, at customer's cost, and this shall be the sole remedy available under this warranty. No claims will be allowed for labor, transportation or other incidental costs. This warranty extends only to persons or organizations who purchase Sloan Valve Company's products directly from Sloan Valve Company for purpose of resale.

THERE ARE NO WARRANTIES WHICH EXTEND BEYOND THE DESCRIPTION ON THE FACE HERE OF. IN NO EVENT IS SLOAN VALVE COMPANY RESPONSIBLE FOR ANY CONSEQUENTIAL DAMAGES OF ANY MEASURE WHATSOEVER. NOTE: IN NO EVENT SHALL THE SLOAN VALVE COMPANY BE LIABLE FOR INCIDENTAL DAMAGES, RESULTING FROM IMPROPER INSTALLATION, OR FOR DAMAGES CAUSED BY NEGLIGENCE, ABUSE OR ALTERATION.

SLOAN®

SLOAN INDIA PRIVATE LIMITED

344, PHASE-II, UDYOG VIHAR, GURGAON 122015 Phone: (+91) 124-601333

Toll Free: 1800.123.3080 | customercare@sloan.in | sloan.com Copyright © 2021 Sloan. All rights reserved.