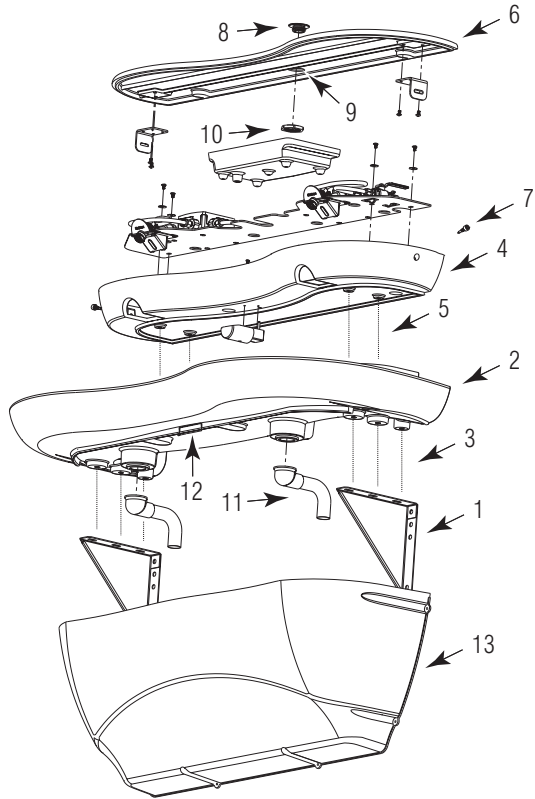
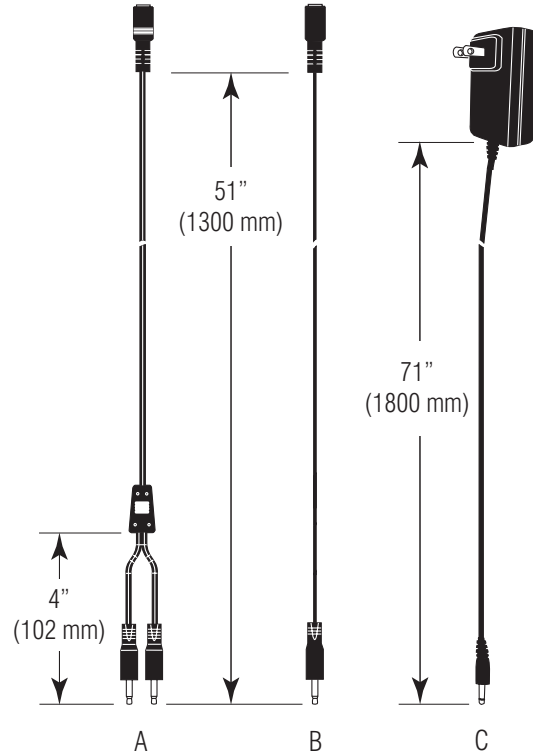


SloanStone® EW-62000 Sink

Top Level Assembly



EW-62000 Double Station Cables



Item No.	Part No.	Description
1.	EW-122	Mounting Bracket (2)
2.	EW-129	Basin
3.	ELC-41	Screw, Machine Truss Head 1/4-20 (6)
4.	EW-135-A	Head
†	EW-142-A	Head with Manual Soap Dispenser
5.	EW-37	Screw, Truss Head 1/4-20 x 1-1/2" Long (4)
6.	EW-130-A	Cover
‡	EW-138-A	Cover with Fill Cap
7.	EW-115	Cover Attachment Screw
8. ‡	ESD-241	Fill Cap for Soap Reservoir
9. ‡	ESD-242	Sleeve for Fill Cap
10. ‡	ESD-243	Jam Nut for Fill Cap Sleeve
11.	ETF-725-A	Grid Strainer Assembly (2)
12.	EW-127	Velcro® Strip (Hook)
13.	EW-105	Plastic Cabinet
—	MIX-19	Supply Hose (Not Shown)
—	EW-96	T-Handled Wrench (Not Shown)
—	EW-128	Velcro® Strip (Loop) (Not Shown)
— ‡	ESD-249	Fill Cap Spanner (Not Shown)
—	EW-98	Light Duty Buffing Pad (Not Shown)
—	EW-108	General Purpose Buffing Pad (Not Shown)
†	EW-141	Spacers (Not Shown)

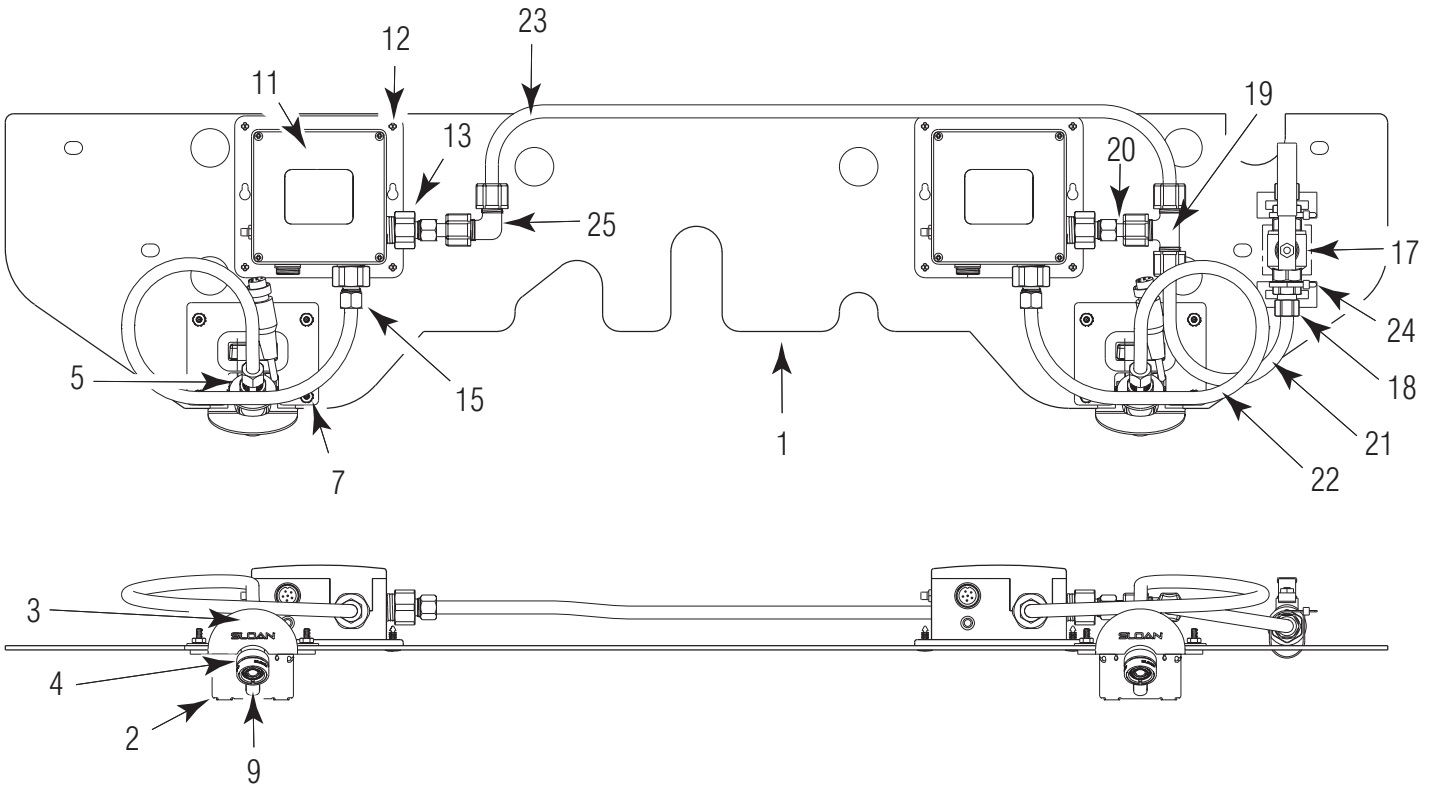
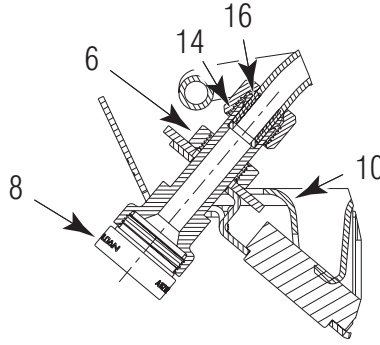
† Included on models with Soap Dispenser

‡ Included on models with Fill Cap

Item No.	Part No.	Description
A.	SFP-38	Cable Splitter
B.	SFP-37	Cable Extension
C.	SFP-36	Transformer

SloanStone® EW-62000 Sink

Electronic Components



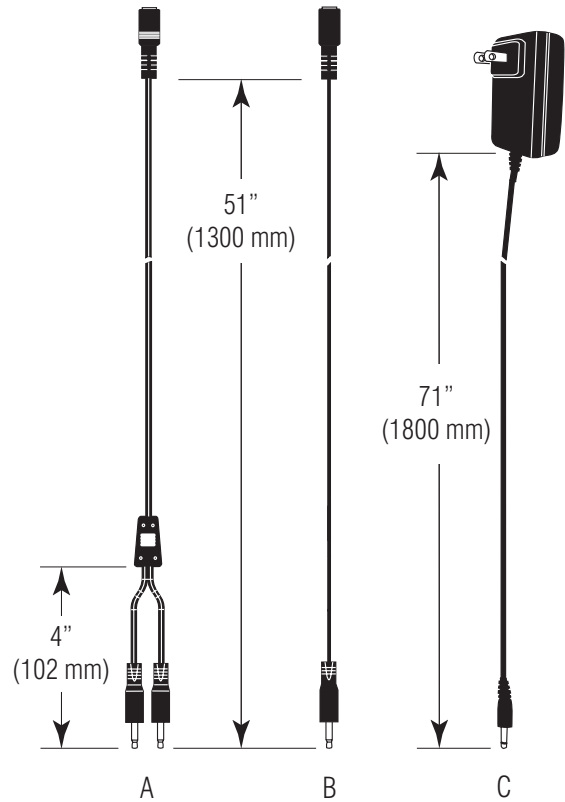
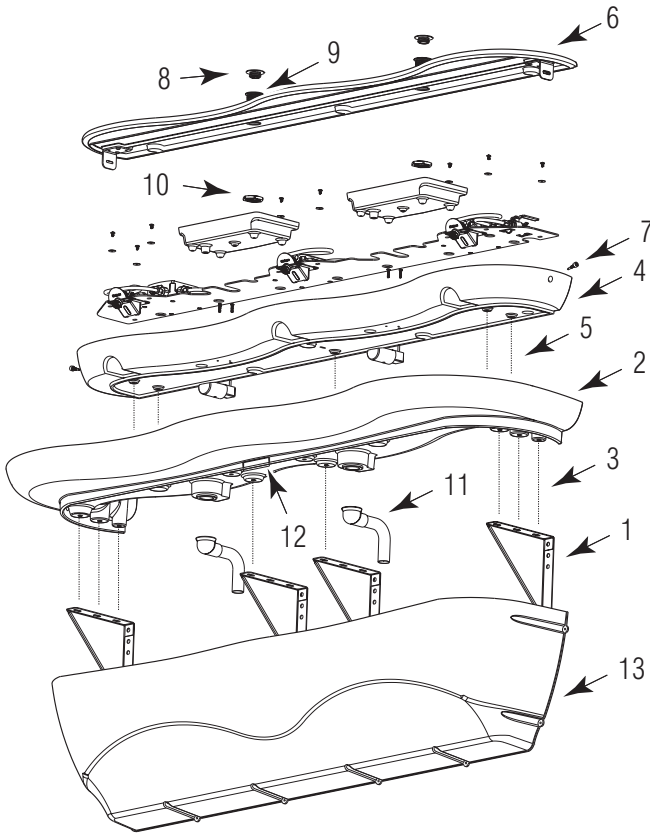
Item No.	Part No.	Description
1.	EW-113	Component Mounting Plate, 2 Station
2.	EW-119	Sensor Housing
3.	EW-100-A	Sensor Base Plate Assembly
4.	EW-112	Spout Adapter
5.	EW-140	Washer, 9/16"
6.	MIX-69	Hex Nut
7.	EW-14	Nut #8-32 (KEPS)
8.	ETF-723	Spray Head 0.5 gpm (1.9 Lpm) Vandal Proof
9.	SFP-41-A	Sensor with Range Adjustment Kit
10.	EW-120	Sensor Backing Piece
11.	SFP-40	Control Box with Button
12.	EW-116	Push-In Clip
13.	SFP-45-A	Inlet Adapter Kit

Item No.	Part No.	Description
14.	EW-26	Tube Support 3/8"
15.	ETF-209	Compression Nut
16.	ETF-208	Ferrule
17.	EW-118	Shut-Off Valve
18.	ETF-61	Male Connector
19.	EW-19	Compression Tee Fitting 3/8" Tube
20.	EW-89-1	Tube, 3/8" 1.56" (40 mm) Long
21.	EW-89-6	Tube, 3/8" 8.19" (208 mm) Long
22.	EW-89-7	Tube, 3/8" 17.50" (445 mm) Long
23.	EW-89-10	Tube, 3/8" 24.75" (629 mm) Long
24.	ETF-198	Tie Wrap
25.	EW-18	Compression Elbow Fitting 3/8" Tube
—	ELC-17	Bond Tape (Not Shown)

SloanStone® EW-63000 Sink

Top-level Assembly

EW-63000 Double Station Cables

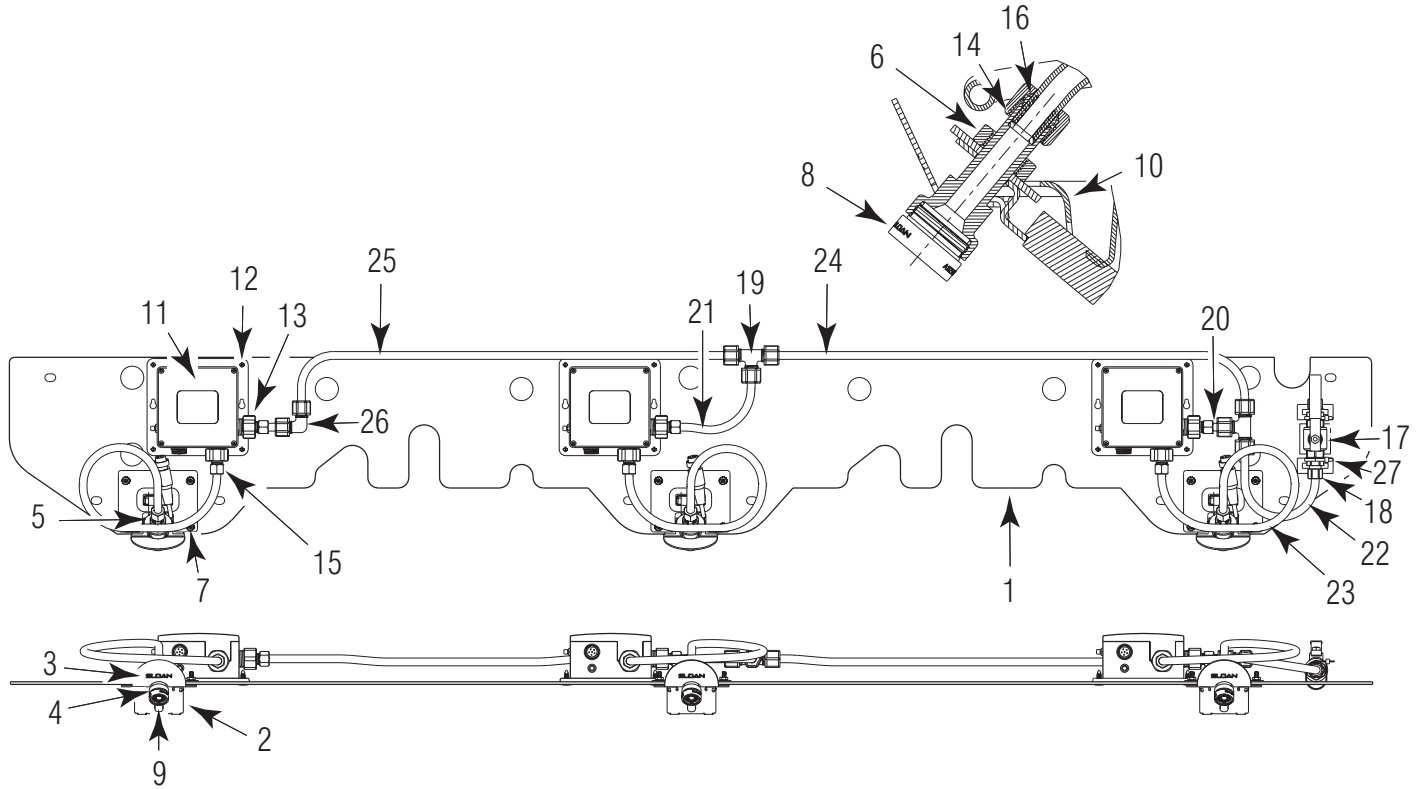


Item No.	Part No.	Description
1.	EW-122	Mounting Bracket (4)
2.	EW-134	Basin
3.	ELC-41	Screw, Machine Truss Head 1/4-20 (8)
4.	EW-136-A	Head
†	EW-143-A	Head with Manual Soap Dispenser
5.	EW-37	Screw, Truss Head 1/4-20 x 1-1/2" Long (5)
6.	EW-137-A	Cover
‡	EW-139-A	Cover with Fill Cap
7.	EW-115	Cover Attachment Screw (2)
8.	‡ ESD-241	Fill Cap for Soap Reservoir
9.	‡ ESD-242	Sleeve for Fill Cap
10.	‡ ESD-243	Jam Nut for Fill Cap Sleeve
11.	ETF-725-A	Grid Strainer Assembly (2)
12.	EW-127	Velcro® Strip (Hook)
13.	EW-123	Plastic Cabinet
—	MIX-19	Supply Hose (Not Shown)
—	EW-96	T-Handled Wrench (Not Shown)
—	EW-128	Velcro® Strip (Loop) (Not Shown)
— ‡	ESD-249	Fill Cap Spanner (Not Shown)
—	EW-98	Light Duty Buffing Pad (Not Shown)
—	EW-108	General Purpose Buffing Pad (Not Shown)
†	EW-141	Spacers (Not Shown)
† Included on models with Soap Dispenser		
‡ Included on models with Fill Cap		

Item No.	Part No.	Description
A.	SFP-38	Cable Splitter
B.	SFP-37	Cable Extension
C.	SFP-36	Transformer

SloanStone® EW-63000 Sink

Electronic Components



Item No.	Part No.	Description
1.	EW-117	Component Mounting Plate, 3 Station
2.	EW-119	Sensor Housing
3.	EW-100-A	Sensor Base Plate Assembly
4.	EW-112	Spout Adapter
5.	EW-140	Washer, 9/16"
6.	MIX-69	Hex Nut
7.	EW-14	Nut #8-32 (KEPS)
8.	ETF-723	Spray Head 0.5 gpm (1.9 Lpm) Vandal Proof
9.	SFP-41-A	Sensor with Range Adjustment Kit
10.	EW-120	Sensor Backing Piece
11.	SFP-40	Control Box with Button
12.	EW-116	Push-In Clip
13.	SFP-45-A	Inlet Adapter Kit
14.	EW-26	Tube Support 3/8"

Item No.	Part No.	Description
15.	ETF-209	Compression Nut
16.	ETF-208	Ferrule
17.	EW-118	Shut-Off Valve
18.	ETF-61	Male Connector
19.	EW-19	Compression Tee Fitting 3/8" Tube
20.	EW-89-1	Tube, 3/8" 1.56" (40 mm) Long
21.	EW-89-5	Tube, 3/8" 6.75" (172 mm) Long
22.	EW-89-6	Tube, 3/8" 8.19" (208 mm) Long
23.	EW-89-7	Tube, 3/8" 17.50" (445 mm) Long
24.	EW-89-9	Tube, 3/8" 25.75" (654 mm) Long
25.	EW-89-10	Tube, 3/8" 24.75" (629 mm) Long
26.	EW-18	Compression Elbow Fitting 3/8" Tube
27.	ETF-198	Tie Wrap
—	ELC-17	Bond Tape (Not Shown)

SloanStone® EW-62000/63000 Sinks**Troubleshooting**

1. Faucet delivers water in an uncontrolled manner.

- A. Contact Sloan Technical Support at +1.888.756.2614.

2. Faucet does not deliver any water when Sensor is activated.**INDICATOR: Solenoid valve produces an audible “CLICK.”**

- A. Water supply stop(s) closed. Open water supply stop(s).
- B. Water strainer in control module is clogged. Close supply stops and remove water inlet line at control module. Remove, clean and reinstall strainer and water inlet line. Replace strainer if required.

INDICATOR: Solenoid valve DOES NOT produce an audible “CLICK.”

- A. Batteries low (battery powered models). Replace batteries.
- B. Power failure (transformer powered models). Check power supply.

3. Faucet delivers only a slow flow or dribble when Sensor is activated.

- A. Water supply stop(s) are partially closed. Completely open water supply stop(s).
- B. Water strainer in control module is clogged. Close supply stops and remove water inlet line at control module. Remove, clean and reinstall strainer and water inlet line. Replace strainer if required.
- C. Aerator is clogged. Remove, clean, and reinstall aerator. Replace aerator if required.

4. Faucet does not stop delivering water or continues to drip after user is no longer detected.

- A. Contact Sloan Technical Support at +1.888.756.2614.

5. The water temperature is too hot or too cold when connected to hot and cold supply lines.

- A. Mixing Valve is not adjusted properly. Adjust Mixing Valve.

6. Solenoid Valve does not produce an audible “CLICK” after plugging transformer into live receptacle (transformer powered models).

- A. Unplug Transformer from receptacle. Wait one minute. Check that all connections to Control Modules are properly made. Plug Transformer back into live receptacle.