

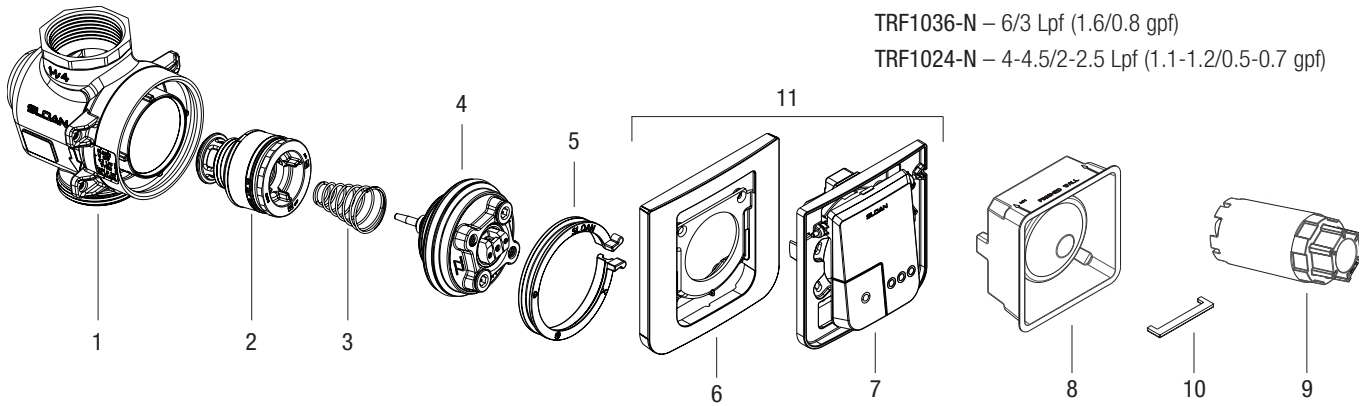
# TruFlush Manual Dual Flush Flushometer

**AVAILABLE IN INDIA ONLY**

## TruFlush Manual Dual Flush Models

TRF1036-N – 6/3 Lpf (1.6/0.8 gpf)

TRF1024-N – 4-4.5/2-2.5 Lpf (1.1-1.2/0.5-0.7 gpf)



### PARTS LIST

Item No.	Code No.	Part No.	Description
1	—	—	Valve Assembly
1A	<b>0340085</b>	GBL-66-A	Shut Off Sleeve (with O-Ring)
2	<b>See table to the right</b>		Piston Assembly with Spring
3	—	—	Conical Spring*
4	<b>See table below</b>		Activation Assembly
5	<b>3340011</b>	GBL-1011-A	Safety Collar
6	—	—	TRF Manual Dual Flush Finished Wall Plate
7	—	—	TRF Manual Dual Flush Wall Bracket with Button Assembly
8	<b>33400034</b>	GBL-1061-A	Replacement Kit, Mud Guard Manual (4 Pack)
9	<b>3340012</b>	GBL-1012-A	Activation Assembly Tool
10	<b>03400103</b>	—	Depth Guide Tool, Dual Flush
11	—	TRF-1000	TRF Manual Dual Flush Wall Bracket and Button Assembly† (Includes items 6 & 7)

\* Included with Piston Assembly.  
† Consult factory for finish options.

### ITEM NO. 4 - MANUAL DUAL FLUSH ACTIVATION ASSEMBLY SELECTION GUIDE

Code No.	Part No.	Description	Aspirator Color*
<b>33400097</b>	GBL-1105-A	6/3 Lpf Closet Activation Assembly	Orange/Red
<b>33400098</b>	GBL-1106-A	4-4.5/2-2.5 Lpf Closet Activation Assembly	Grey

\*Colors may differ. Consult factory to confirm you have the correct activation assembly.

### IMPORTANT NOTE FOR 4-4.5/2-2.5 Lpf (1.1-1.2/0.5-0.7 gpf) FLUSHOMETERS & REPLACEMENT KITS

Sloan 4-4.5/2-2.5 Lpf (1.1-1.2/0.5-0.7 gpf) ultra-high efficiency flushometers meets all applicable standards and requirements. However, with low flush volumes it is imperative that they only be used in conjunction with toilet fixtures and drain line systems designed to operate with adequate flow rates and volumes in order to effectively eliminate waste and move it out of the building. It is the responsibility of the user to ensure both of these conditions are met. Not doing so may void your warranty.

Sloan 4-4.5/2-2.5 Lpf (1.1-1.2/0.5-0.7 gpf) piston kits are designed as a replacement part for Sloan 4-4.5/2-2.5 Lpf (1.1-1.2/0.5-0.7 gpf) flushometers only. They are not intended to be used as a means to reduce water consumption in flushometers with higher flush volumes such as 6/3 Lpf (1.6/0.8 gpf). Using this kit in any manner other than with a Sloan 4-4.5/2-2.5 Lpf (1.1-1.2/0.5-0.7 gpf) flushometer may void your warranty.

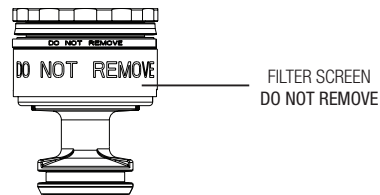
The information contained in this document is subject to change without notice.

### ITEM NO. 2 - MANUAL DUAL FLUSH PISTON ASSEMBLY SELECTION GUIDE

Code No.	Part No.	Description	Piston Color*
<b>33400083</b>	GBL-1103-A	6/3 Lpf Closet Piston Assembly	Orange/Red
<b>33400064</b>	GBL-1089-A	4-4.5/2-2.5 Lpf Closet Piston Assembly	Grey/Black

\*Colors may differ. Consult factory to confirm you have the correct piston assembly.

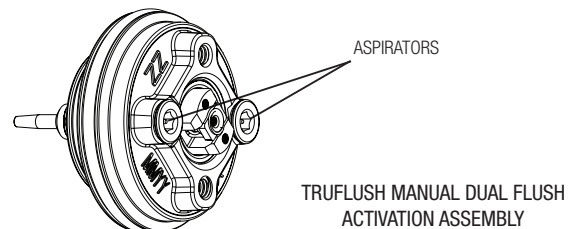
	6/3 Lpf Closet Piston Assembly	4-4.5/2-2.5 Lpf Closet Piston Assembly
<b>Flush Volume</b>	1.6/0.8 gpf 6/3 Lpf Water Closet	1.1-1.2/0.5-0.7 gpf 4-4.5/2-2.5 Lpf Water Closet
<b>Piston Body</b>	Red with Screen	Grey with Screen
<b>Flow Control</b>	Orange	Black Cage
<b>Part Number</b>	GBL-1103-A	GBL-1089-A
<b>Code Number</b>	<b>33400083</b>	<b>33400064</b>



### MANUAL DUAL FLUSH ASPIRATOR ASSEMBLY SELECTION GUIDE

Code No.	Part No.	Description	Aspirator Color*
<b>33400085</b>	GBL-1099-A	6/3 Lpf Closet Aspirator Assembly	Orange/Red
<b>33400073IN</b>	GBL-1095-A	4-4.5/2-2.5 Lpf Closet Aspirator Assembly	Grey

\*Colors may differ. Consult factory to confirm you have the correct aspirator assembly.



TRUFLUSH MANUAL DUAL FLUSH ACTIVATION ASSEMBLY

## TruFlush Manual Dual Flush Flushometer

AVAILABLE IN INDIA ONLY

**TROUBLESHOOTING GUIDE****1. Flushometer does not function (no water/flush).**

- A. Ensure water supply to valve is turned on.
- B. Shut off sleeve is in closed position. Turn counter-clockwise to open water flow. **Note:** there is approximately 1/8-turn (45°) of free spinning as the activation assembly engages the shut off sleeve between opening and closing the valve.
- C. Ensure activation assembly screws are aligned horizontally.
- D. Plunger screws are not adjusted properly. Adjust screws using depth guide tool.

**2. Volume of water is not sufficient to evacuate the bowl.**

- A. Full flush plunger screws (2 outer screws) are not adjusted to the same depth as half flush plunger screw (center screw). Adjust screws using depth guide.
- B. Insufficient flow pressure. Readjust activation assembly by turning counter-clockwise to increase flow pressure. Contact the fixture manufacturer for minimum water supply requirements of the fixture.
- C. Wrong model installed; replace with proper piston model. Consult fixture manufacturer for volume required.
- D. Check lip seal for wear. Replace piston if lip seal is worn or twisted.

**3. Flushometer closes off immediately.**

- A. Urinal piston parts installed in a Closet flushometer. Replace piston with proper Closet piston (6/3 Lpf or 4-4.5/2-2.5 Lpf).
- B. Piston lip seal may be damaged or worn. Replace with new correct gpf/Lpf piston.
- C. Plunger screw not set properly. Adjust screw using depth guide.

**4. Too much water to fixture.**

- A. Excessive flow pressure. Readjust activation assembly by turning clockwise to decrease flow pressure.
- B. Long flush. Worn piston; replace with new proper gpf/Lpf piston.
- C. Wrong model installed; replace with proper piston model. Consult fixture manufacturer for volume required.

**5. Valve does not shut off.**

- A. Plunger screw is not adjusted properly (constant contact on plunger). Adjust screw using depth guide tool.
- B. Supply line water pressure has dropped and is not sufficient to close the Valve. Close Activation Assembly until pressure is restored.
- C. Piston filter screen is clogged, Piston is damaged, or large debris stuck behind Piston. Turn off water at Shut Off Sleeve, release pressure, remove safety collar and activation assembly. Remove Piston and check inside Valve for large debris. **Do not attempt to remove piston filter screen.** Replace piston if damaged or cleaning does not correct the problem.

**6. Leaking at plunger.**

- A. Seal won. Replace activation assembly.

**7. Chirping noise is heard at start or end of flush.**

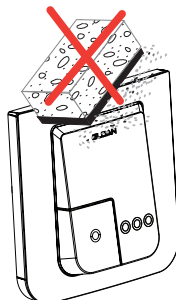
- A. Caused by air purging from the system inside the valve assembly. Noise will subside with several flushes or within a day.

**8. Valve leaks through Aspirator when Activated.**

- A. Debris between the umbrella valve and the retainer. Blow air on the aspirator. If this does not correct the problem, remove retainer with 5 mm Hex Key (not included) and wash it under clean running water. Replace aspirator if cleaning does not correct the problem.
- B. Loose Retainer. Hand tight retainer with 5 mm Hex Key (not included). **Do not overtighten.** Replace aspirator if this does not correct the problem.

**CARE AND CLEANING**

DO NOT use abrasive or chemical cleaners (including chlorine bleach) to clean Flushometers that may dull the luster and attack the chrome or special decorative finishes. Use ONLY mild soap and water, then wipe dry with clean cloth. While cleaning the bathroom tile, protect the Flushometer from any splattering off cleaner. Acids and cleaning fluids will discolor or remove plating.



**When assistance is required, please contact  
Sloan Technical Support at  
(+91)124-6013300/33 (Toll Free 1800-123-3080)  
[customercare@sloan.in](mailto:customercare@sloan.in)**