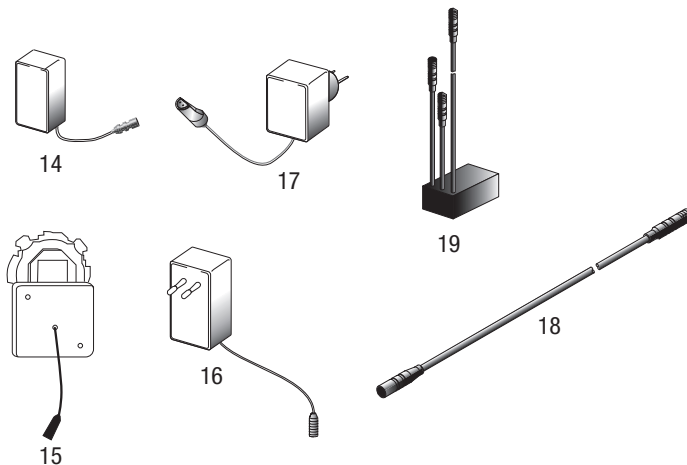
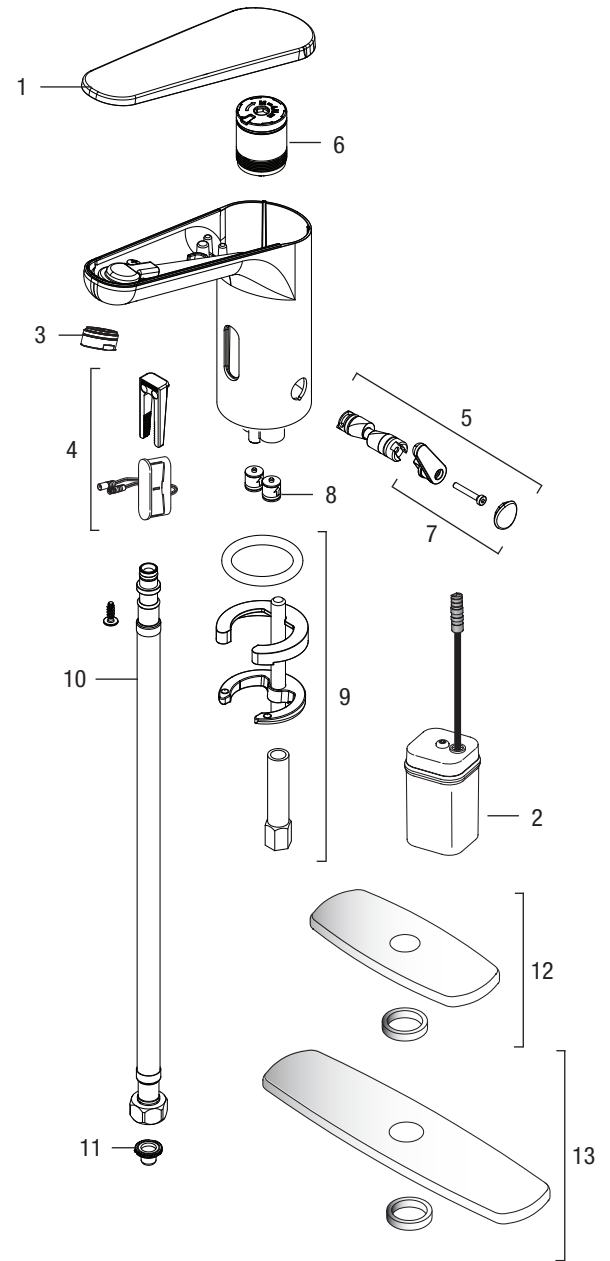


## PARTS BREAKDOWN — EDF-100/150

Item No.	Code No.	Part No.	Description
1	—	EDF-2	Cover
2	—	EDF-3	Battery Pack
3	<b>0335036</b>	EAF-63	Spray Head 0.5 gpm
	<b>0335029</b>	EAF-51	Spray Head 0.35 gpm
4	—	EDF-4	Sensor with Fixing Clip Kit
5	—	EDF-5	Mixer Handle Assembly and Cartridge Kit
6	<b>0335001</b>	EAF-2	Solenoid Valve Cartridge
7	—	EDF-6	Integral Side Mixer Handle Kit
8	<b>0335006</b>	EAF-8	Bak-Cheks® (2 per kit), -ISM Models only
9	<b>0335000</b>	EAF-1	Faucet Mounting Kit
10	<b>3335023</b>	EAF-1008	Flexible Supply Hose (2 required for ISM models)
11	<b>0335007</b>	EAF-9	Filter (2 required for ISM models)
12	<b>0362011</b>	SFP-11	4" Trim Plate
13	<b>3362022</b>	SFP-22	8" Trim Plate

### For Hardwired EDF Faucets

14	<b>0335009</b>	EAF-11	6 VDC Plug-in Adapter 100-240 VAC/6.75 VDC (US)
15	<b>0335037</b>	EAF-37	6 VDC Box Mount Adapter 100-240 VAC/6.75 VDC
16	<b>0335038</b>	EAF-38	90-264 VAC/6.75 VDC Plug-In Adapter (EURO)
17	<b>0335039</b>	EAF-39	90-264 VAC/6.75 VDC Plug-In Adapter (UK)
18	<b>0335024</b>	EAF-24-A	Extension Cable 11-13/16 Inches (300 mm)
	<b>0335025</b>	EAF-25-A	Extension Cable 47-1/4 Inches (1200 mm)
	<b>0335015</b>	EAF-17-A	Extension Cable 126 inches (3200 mm)
19	<b>0335044</b>	EAF-44	Power Splitter (one (1) per faucet when using daisy chain power)



**When assistance is required, please contact  
Sloan Technical Support at  
1.888.SLOAN.14 (1.888.756-2614)**

The information contained in this document is subject to change without notice.

**SLOAN VALVE COMPANY • 10500 SEYMOUR AVENUE • FRANKLIN PARK, IL 60131**

Phone: 1.800.982.5839 or 1.847.671.4300 • Fax: 1.800.447.8329 or 1.847.671.4380 • sloan.com